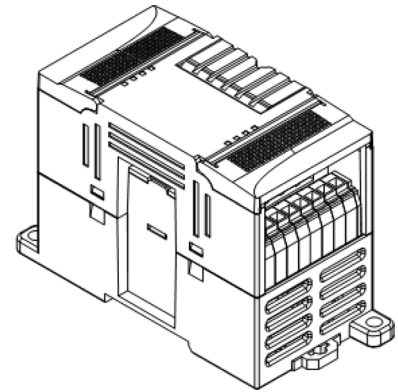


KNC-PLC-K633 - Expansion Modules



FEATURES

- **Current and Voltage Outputs**
- **Provides Wide Input/Output Range**
- **Up to 14 Analog Input/Output Modules in One PLC-K6 System**
- **12-bit Conversion for High-Resolution Measurement**
- **Very Reliable +/-0.3% Error**



DESCRIPTION

The PLC-K633-04IV Analog Input/Output Module was designed to do the job of both the PLC-K631 and PLC-K632 series all on one module. The PLC-K633-04IV is equipped with 2 analog inputs and 2 analog outputs. The PLC-K633-04IV performs a 12-bit conversion on the inputs for high-resolution measurement and can be configured to read voltages or currents of different ranges. The current ranges of the analog inputs are 0-20 mA or 4-20 mA, and the voltage ranges of the analog outputs are 1-5 VDC or 0-10 VDC. The analog outputs have a 12-bit output resolution allowing the user to increment in 976uV or 3.9uA steps. The current ranges of the analog outputs are; 0-20 mA or 4-20 mA. The voltage ranges of the analog outputs are 1-5 VDC or 0-10 VDC. The K633 series has an accuracy of +/- 0.5% to ensure a precise reading.

SPECIFICATIONS

Parameter	KNC-PLC-K633-04IV
Analog Inputs	2
Analog Outputs	2
Digital Output Resolution	12-bit
Output Type	4-20 mA, 0-20 mA, 1-5 VDC, 0-10 VDC
Input Type	4-20 mA, 0-20 mA, 1-5 VDC, 0-10 VDC
Accuracy	±0.5% F.S.
Parameter Configuration	Each Channel Can be Configured Separately via the Kincobuilder Software
Signal Limitation	Cannot Exceed Chosen Range
Error Indication	Red LED for Each Channel
Module Width	50mm

L011978

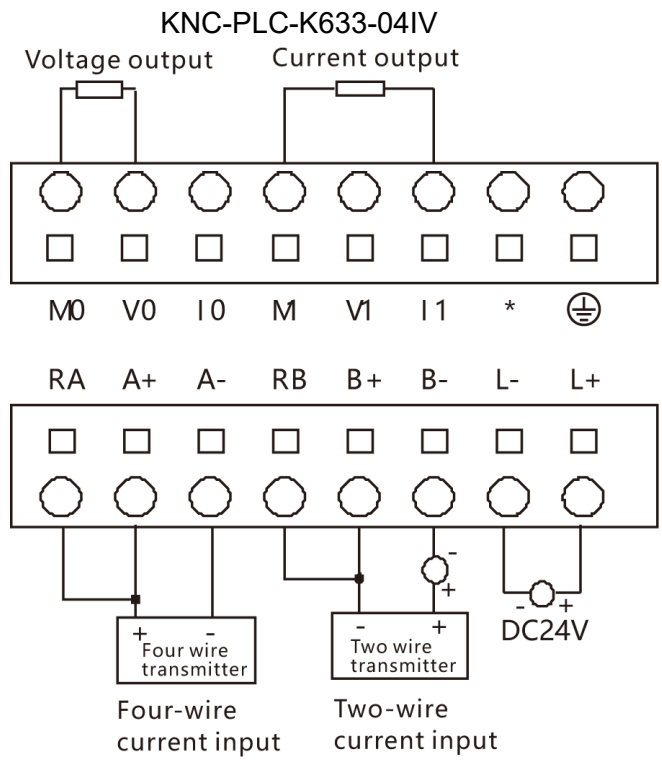
KNC-PLC-K633 - Expansion Modules



EXPANSION



WIRING DIAGRAM

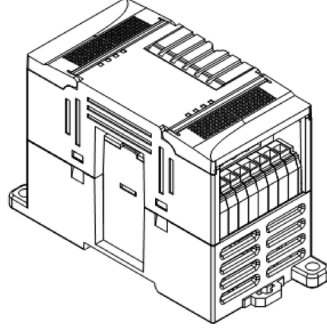
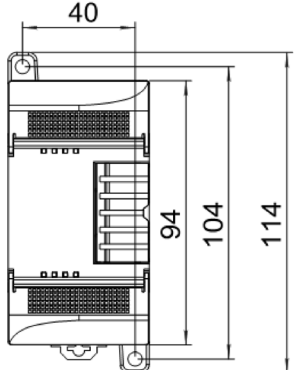
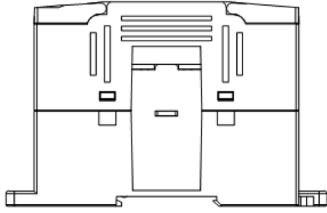
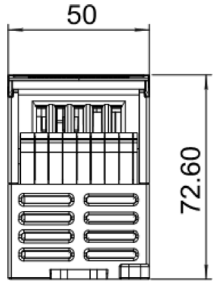


L011978

KNC-PLC-K633 - Expansion Modules



DIMENSIONS



Units are in mm

L011978